



R Series Cylindrical Locks



Ingersoll Rand's Security Technologies Sector is a leading global provider of products and services that make environments safe, secure and productive. The Sector's market-leading global products include electronic and biometric access control systems; time and attendance and personnel scheduling systems; mechanical locks and portable security, door closer and exit devices, steel doors and frames, architectural hardware and technologies and services for global security markets.

[Http://www.securitytechnologies.ingersollrand.com](http://www.securitytechnologies.ingersollrand.com)

China

10/F, Tower B, City Center
of Shanghai, 100 Zun Yi
Road, Shanghai 200051
P.R.China
+(86) 21 22081288
+(86) 21 62371992 FAX

North-East Asia

Unit A-E, 15/FI., China
Overseas Building,
139 Hennessy Road,
Wanchai, Hong Kong.
+(852) 2235 0600
+(852) 2565 1409 FAX

South Asia

42 Benoi Road
Singapore 629903
+(65) 6860-6850
+(65) 6861-9563 FAX

Australia/New Zealand

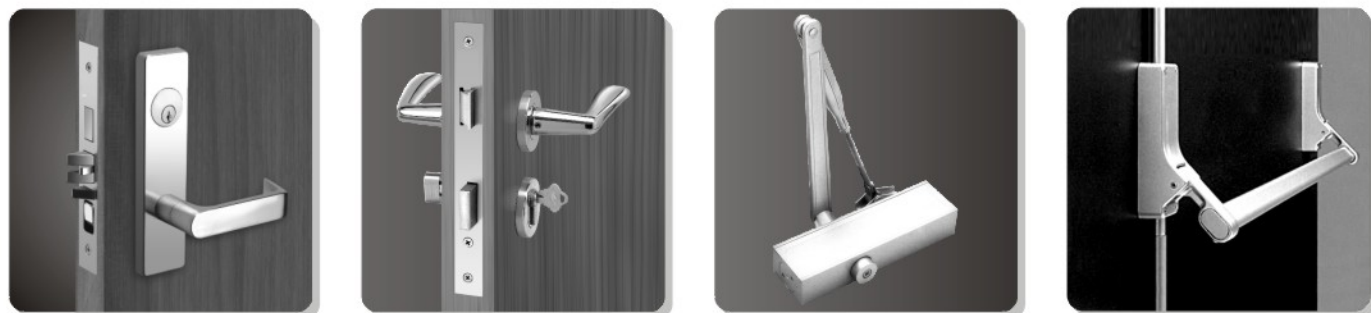
P.O. Box 19-347 437 Rosebank Road,
Avondale, Auckland, New Zealand
+64 (0) 9-829-0550
+64 (0) 9-829-0552 FAX



Schlage R Series Cylindrical Locks

Ingersoll Rand is proud to offer the R series cylindrical lockset. This ANSI Grade 2 certified lock is manufactured using the same superior standards that have made Ingersoll Rand a proven leader in the door hardware industry. R series exceeds the requirements of American and Chinese National hardware standards, and is ideally suited for standard duty commercial and high-end residential applications in a variety of building types. Ingersoll Rand R series can be integrated into the same 4 level masterkeying system that includes the E series Euro mortise, and the M series ANSI grade 1 mortise locksets by Ingersoll Rand, providing increased flexibility and convenience.

With several designs and finishes available, the R series cylindrical lockset is a great solution for your project needs. Trust high quality, secure, dependable products. Trust Ingersoll Rand.



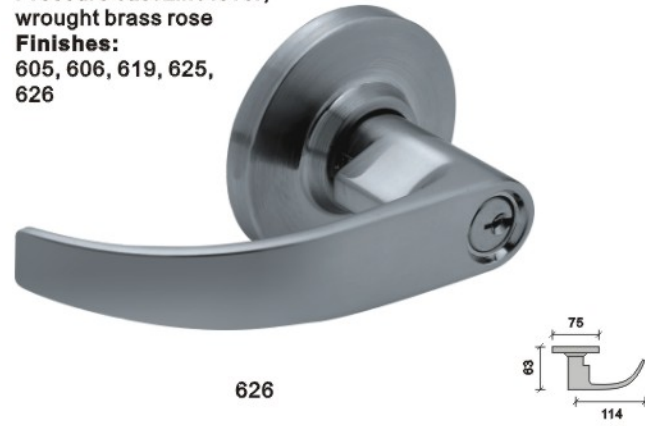
Total Product Solution

Ingersoll Rand produces a wide selection of mechanical hardware products, including door closers, exit devices, hinges, and accessories. In addition, Ingersoll Rand provides electronic solutions ranging from off-line locksets to fully integrated access control systems.

As a global leader, Ingersoll Rand continues to satisfy the demands of worldwide clients by offering high quality proven solutions.



NEP
Material:
Pressure cast zinc lever;
wrought brass rose
Finishes:
605, 606, 619, 625,
626



626



626

JUP
Material:
Pressure cast zinc lever;
wrought brass rose
Finishes:
605, 606, 619, 625, 626



626

SAT
Material:
Pressure cast zinc lever;
wrought brass rose
Finishes:
605, 606, 619, 625, 626



626

FLA
Material:
Pressure cast zinc lever;
wrought brass rose
Finishes:
605, 606, 619, 625, 626



626

ACC
Material:
Pressure cast zinc lever;
wrought brass rose
Finishes:
605, 606, 619, 625, 626



606

ATH
Material:
Pressure cast zinc lever;
wrought brass rose
Finishes:
605, 606, 619, 625, 626



619

ORB
Material:
Wrought brass knob and
rose
Finishes:
605, 606, 619, 625, 626



605

PLY
Material:
Wrought brass knob and
rose
Finishes:
605, 606, 619, 625, 626

Standard
Lock can be adjusted to
fit door thickness range of 35mm-51mm

Brass faceplate
Corrosion resistance-96hrs
salt spray test

Deadlocking plunger

**13mm cast stainless
steel latch**

**Protective steel
sleeve for latch assembly**
Door preparation with
sleeve: 25mm;
without sleeve: 22mm

**Heavy-duty compression
springs for a smooth,
fast lever return**

M5 steel through-bolt
No exposed fasteners

**75mm diameter wrought
brass rose**

Solid material lever
6 lever styles, 5 finishes
Corrosion resistance-96hrs
salt spray test

**6 pin standard solid brass
cylinder with Schlage C
keyway.**
Cylinder can easily be
removed for re-keying

Lock can be adjusted to
fit door thickness range
of 45mm-60mm

Brass faceplate
Corrosion resistance-96hrs salt
spray test

Deadlocking plunger

**13mm cast stainless
steel latch**

**Protective steel
sleeve for latch assembly**
Door preparation with
sleeve: 25mm;
without sleeve: 22mm

M5 steel through-bolt
No exposed fasteners

**70mm diameter wrought
brass rose**

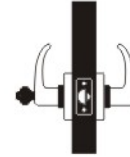
**6 pin standard solid brass
cylinder with Schlage C
keyway**
Cylinder can easily be re-
moved for re-keying

Solid material knob
2 knob styles, 5 finishes
Corrosion resistance-96hrs
salt spray test

IR R10 **ANSI F75** **Passage Latch**
Both levers/knobs always unlocked



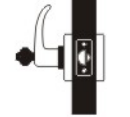
IR R70 **ANSI F84** **Classroom Lock**
Outside lever locked and unlocked by key. Inside lever always unlocked.



R30 **F77** **Patio Lock**
Push-button locking. Turning inside lever/knob releases button.



R79 **F79** **Communicating Lock**
Locked or unlocked by key from outside. Blank plate inside.



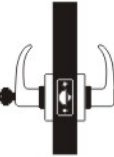
R40 **F76** **Bath/Bedroom Privacy Lock**
Push-button locking. Turning inside lever releases push-button. Can open from outside via emergency release.



R80 **F86** **Storeroom Lock**
Outside lever fixed. Entrance by key only. Inside lever always unlocked.



R50 **F82** **Entrance/Office Lock**
Push-button locking. Push-button locks outside lever until unlocked with key or by rotating inside lever.



R170 **Single Dummy Trim**
For one side of door. Used for door pull or as matching inactive trim.



R66 **F91** **Store Door Lock**
Key in either lever locks or unlocks both sides.



R series Cylindrical Lock	
Standard & Testing	ANSI A156.2 Series 4000, Grade 2 China National Fire Test Grade1 (72 minutes)
Dimensions(mm)	Backset(knob) 60 standard; consult factory for non-standard lengths
	Backset(lever) 70 standard; consult factory for non-standard lengths
	Latch Throw 13
	Faceplate 25 x 57, with square corner
	Strike 29 x 70, square corner
Material & Features	Lip length 29
	Lockcase Steel
	Latch Cast Stainless Steel
	Door Thickness 1 3/4"(45mm) standard. Suitable for 1 3/8"(35mm) to 2" (51mm). 2 1/32"(52mm) to 2 3/8"(60mm) optional.
	Cylinder 6 pin brass cylinder with Schlage C keyway
	Key 2 brass keys standard
Keying System	2 to 4 level masterkeying system can integrate with E series Euro mortise lock and M series ANSI mortise lock
	Handed Non-handed
Finishes	605 Bright Brass, 606 Satin Brass, 619 Satin Nickel, 625 Bright Chrome Plated, 626 Satin Chrome Plated

Specifications for Orders

R	50	P	-	ORB	-	605
Series	Function	Cylinder		Lever/Knob		Finishes
	Refer to Lock Functions Description	P=Standard Cylinder L=Less Cylinder		Lever=NEP, JUP, SAT, FLA, ACC, ATH Knob=ORB, PLY		605=Bright Brass 606=Satin Brass 619=Satin Nickel 625=Bright Chrome Plated 626=Satin Chrome Plated